

SINCE 1839

BRINLY

SINCE 1839

BRINLY

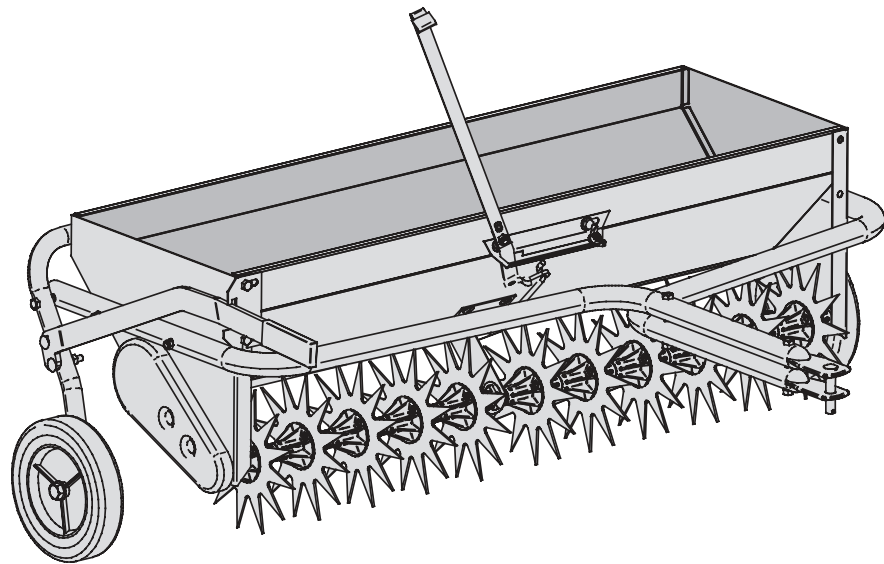
OWNER'S MANUAL

AERATOR SPREADER

MODEL:

AS2-40BH1-S

- Assembly
- Installation
- Operation
- Repair Parts



For use with
Lawn/Garden Tractors

Call Customer Service, Toll-Free: 877-728-8224

Visit us on the web!
www.brinly.com

Important: This manual contains information for the safety of persons and property. Read it carefully before assembly and operation of the equipment!

INTRODUCTION AND SAFETY

CONGRATULATIONS on your new Brinly-Hardy Lawn Aerator! This accessory has been designed, engineered and manufactured to give you the best possible dependability and performance.

Should you experience any problem you cannot easily remedy, please do not hesitate to contact our knowledgeable customer service department toll-free at 1-877-728-8224. We have competent, well trained technicians to help you with the assembly and use of your Aerator.



CUSTOMER RESPONSIBILITIES

- Please read & retain this manual. The instructions will enable to assemble and maintain your product properly.
- Please carefully read and observe the SAFETY SECTION of this manual.
- Follow a regular schedule in maintaining and caring for your Brinly-Hardy product.

TABLE OF CONTENTS

INTRODUCTION, REQUIRED TOOLS, AND SAFETY	2 - 3
PARTS	4 - 6
ASSEMBLY	7 - 12
OPERATION	13 - 14
MAINTENANCE	15
SERVICE	15
WARRANTY	16

SPECIFICATIONS

Recommended Towing Speed	3 mph (or less)
Maximum Towing Speed	5 mph
Aeration Depth	Up to 2"
Hopper Capacity	100 lbs
Tire; Size	9" x 1.75"

TOOLS REQUIRED FOR ASSEMBLY:



- 1/2" Wrench (x2)
- 3/4" Wrench (x2)
or 10" Adjustable Wrench (x2)
- Hammer
- Gloves

SAFE OPERATION



This symbol will help to point out important safety precautions throughout this manual. It means: **ATTENTION! BECOME ALERT! YOUR SAFETY IS INVOLVED.**

- Know controls and how to stop quickly, **READ THE OWNER'S MANUAL.**
- Do not allow children to operate the vehicle, do not allow adults to operate without proper instruction or without having read the owner's manual.
- Do not carry passengers. Keep children and pets a safe distance away.
- Always wear substantial footwear. Do not wear loose fitting clothing that can get caught in moving parts.
- Keep your eyes and mind on your tractor/attachment and area being covered. Do not let other interests distract you.
- Stay alert for holes in the terrain and other hidden hazards.

SAFETY AND REFERENCE

- Do not drive close to creeks, ditches and public highways.
- Watch out for traffic when crossing or near roadways.
- When using any attachment, don't allow anyone near the vehicle while in operation.
- Keep the vehicle and attachment in good operating condition and keep safety devices in place.
- Keep all nuts, bolts and screws tight to be sure the equipment is in safe working condition.
- The vehicle and attachment should be stopped and inspected for damage after striking a foreign object. The damage should be repaired before restarting and operating the equipment.
- See tractor equipment owner's manual for safe operation of the equipment.

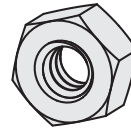
CAUTION

- To avoid damage to Tines, always engage transport wheels to raise the Tines when crossing concrete or asphalt walks, drives, or roads.
- Use the Aerator-Spreader only on an established lawn, never on newly laid sod.
- To avoid personal injury and/or equipment damage never exceed the recommended operating speed range of 3 to 5 MPH.
- Tines have sharp points. Wear gloves and handle with care.
- Only tow your Aerator-Spreader behind vehicles for which it was designed, riders and lawn/garden tractors.
- Do not stand/ride on Aerator-Spreader, bodily injury could result.
- Never exceed the Hopper weight capacity of 100 pounds.
- Do not attempt to disconnect Aerator from tractor with weight in Hopper.
- When backing-carefully back straight to avoid jack-knifing which could result in damage to equipment.

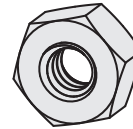
REFERENCE

A note about nuts used in the assembly of your Aerator Spreader:

JAM NUTS AND HEX NUTS



JAM NUT

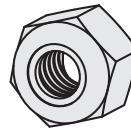


HEX NUT

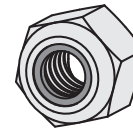
Jam Nuts and Hex Nuts spin freely on the bolt threads.

NOTE: Usually a lock washer is used to securely lock the nut in place.

LOCK NUTS AND NYLON LOCK NUTS



LOCK NUT



NYLON
LOCK NUT

Lock Nuts & Nylon Lock Nuts provide resistance after several turns on the bolt threads.

NOTE: A wrench is normally required during installation.

NOTES

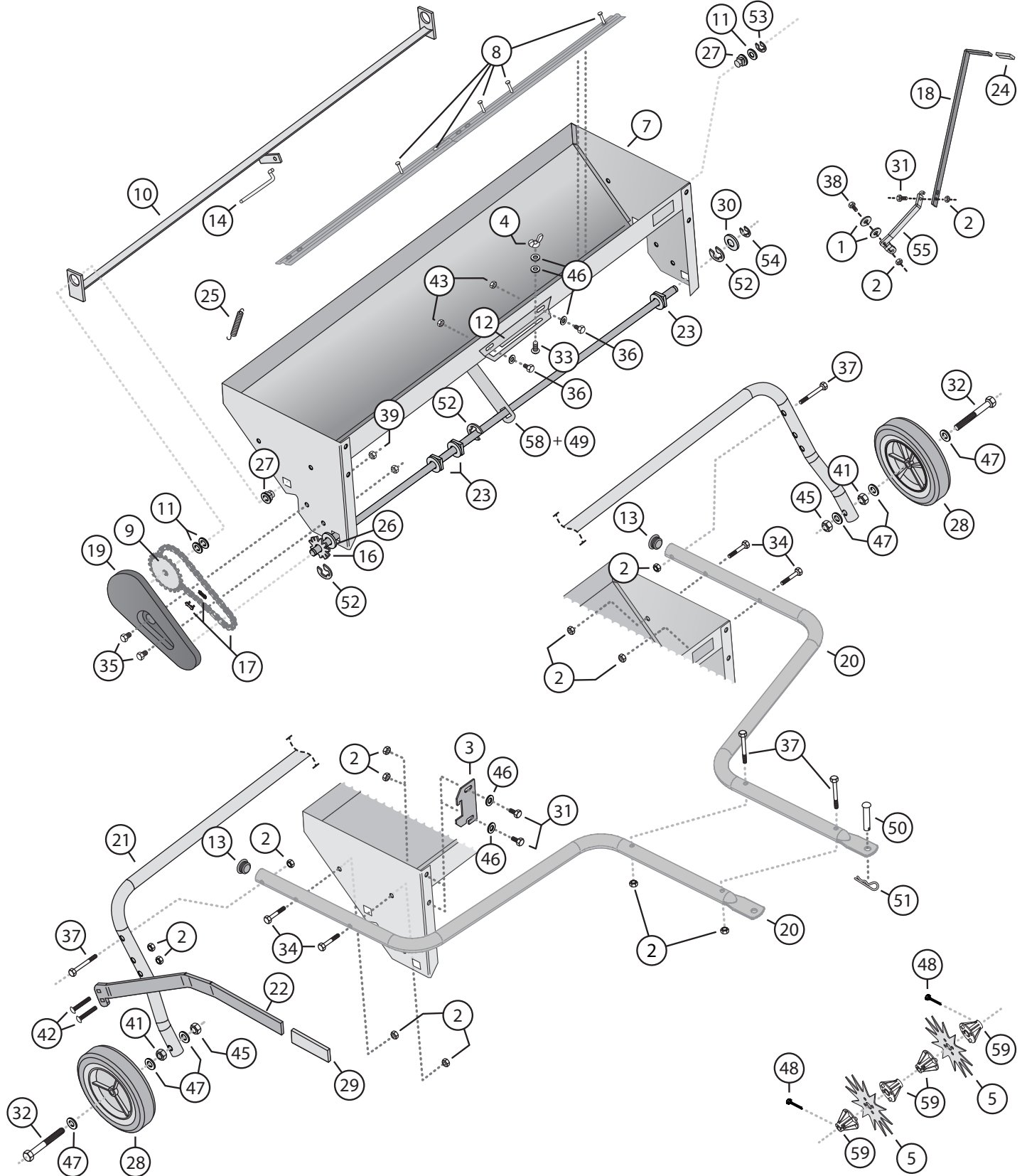
Installation Questions?
Missing Parts? Replacement Parts?

**DON'T GO BACK TO
THE STORE!**

Please call our Customer Service
Department, Toll Free: 877-728-8224
or customerservice@brinly.com



PARTS



PARTS

AS2-40BH1-S

Ref #	Part #	Description	Qty
1	R-774	Flat Washer - Large	2
2	B-1674P	5/16" Hex Lock Nut	1
4	B-4030	1/4" Wing Nut	1
5	1018833	Aerator Tine	11
7	1019427	Hopper Assembly	1
8	1019249	Agitator Kit (Hwd. Incl.)	2
9	1019153-06	Agitator Shaft Assembly	1
10	B-5726-06	Shutter Assembly	1
11	B-4713	1/2" Washer	3
12	1020778	Calibration Plate	1
14	1019154-01	Shutter Link	1
16	1019147	Tine Shaft Assembly	1
17	1019144	Drive Chain and Offset Link	1
18	1019150-06	Upper Lever	1
19	B-4726	Chain Shield	1
20	B-6410-06	Tow Bar	2
21	1018838-06	Wheel Support Assembly	1
22	B-6413-06	Lift Handle	1
23	1019145	Square Bearing (Large)	3
25	1020779	Tension Spring	1
26	B-4768	5/8" (Thin) Washer	3
27	1019148	1/2" Square Bearing (Small)	2
28	B-6526	Wheel	2
30	B-5456	5/8" (Thick) Washer	3
33	11M0808P	Carriage Bolt, 1/4" x 1/2"	1
35	2M0808P	Hex Bolt, 1/4" x 1/2"	2
36	2M1008P	Hex Bolt 5/16" x 1/2"	2
38	2M1016P	Hex Bolt 5/16" x 1"	1
39	B-4785	Lock Nut, 1/4"	2
43	B-4786	Lock Nut, 5/16"	2
46	45M1111P	Flat Washer, 5/16"	4

Ref #	Part #	Description	Qty
48	50M0524P	Cotter Pin, 5/32 x 1-1/2"	2
49	V-302P	Pop Rivet, 3/16" x .277	4
52	B-4307	"E" Ring, 1"	3
53	F-621	"E" Ring, 1/2"	1
54	F-577	"E" Ring, 5/8"	1
55	1019149-06	Lower Lever	1
58	1019307-06	Center Strap	1
59	101958	Bearing	22

HARDWARE PACK - Used during assembly:

1018842	SKIN PACK	1	
2	B-1674P	5/16" Hex Lock Nut	13
3	B-6520	Transport Lock	1
13	B-6484	Cap, Tub	2
24	1018845	Vinyl Grip (1/8" x 3/4")	1
29	1018844	Handle Grip (5/16" x 1-1/4")	1
31	2M1012P	Hex Bolt, 5/16" x 3/4"	3
32	B-6517	Hex Bolt, 1/2" x 3-1/2"	2
34	2M1032P	Hex Bolt, 5/16" x 2"	4
37	4M1048P	Hex Bolt, 5/16" x 3"	4
41	31M1600P	Hex Jam Nut, 1/2"	2
42	11M1028P	Carriage Bolt, 5/16" x 1-3/4"	2
45	B-5096Y	Nut, Nylon Lock, 1/2"	2
46	45M1111P	Flat Washer, 5/16"	2
47	1019753	Flat Washer, 1/2"	6
50	B-3861	Drawbar Pin	1
51	1019151	Hairpin Cotter	1

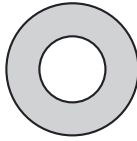
HARDWARE IDENTIFIER

Illustrations on this page are to scale for faster identification of hardware during assembly.

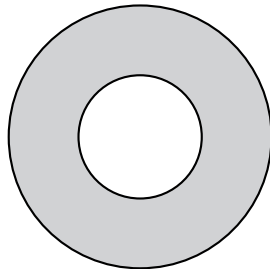
DO NOT RETURN PRODUCT IF YOU ARE MISSING PARTS.

Please Call: 1 (877) 728-8224

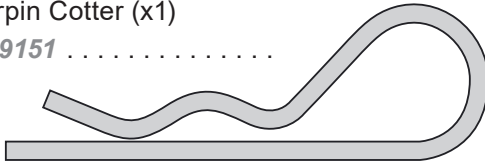
④⑥ Washer: Flat
5/16" (x2)
45M1111P



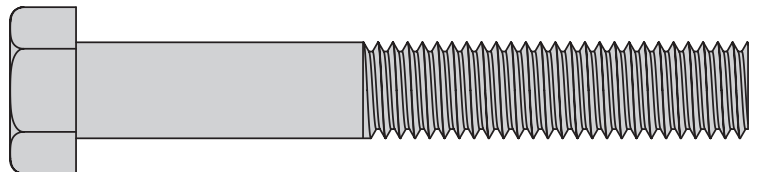
④⑦ Washer: Flat
1/2" (x6)
1019753



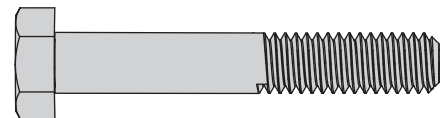
⑤① Hairpin Cotter (x1)
1019151



③② Bolt: Hex Head,
1/2" x 3 1/2" (x2)
B-6517



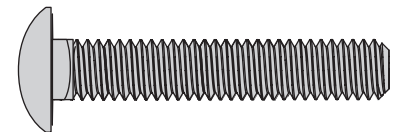
③④ Bolt: Hex Head 5/16 x 2" (x4)
2M1032P



③⑦ Bolt: Hex Head 5/16 x 3" (x4)
4M1048P



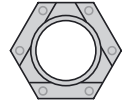
④② Bolt: Carriage 5/16 x 1-3/4" (x2)
11M1028P



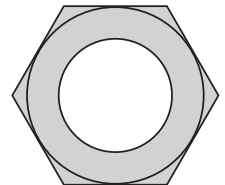
⑤① Drawbar Pin: 1/2" x 2 1/2" (x1)
B-3861



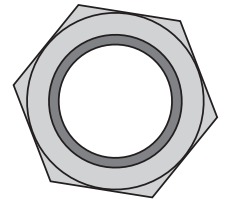
② Nut: Hex Head Locking
5/16" -18 (x13)
B-1674P



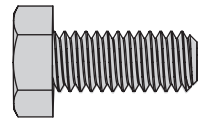
④① Nut: Hex Jam
1/2" (x2)
31M1600P



④⑤ Nut: Nylon Lock
1/2" (x2)
B-5096Y



③① Bolt: Hex Head,
5/16 x 3/4" (x3)
2M1012P



ASSEMBLY

Assembly Tip

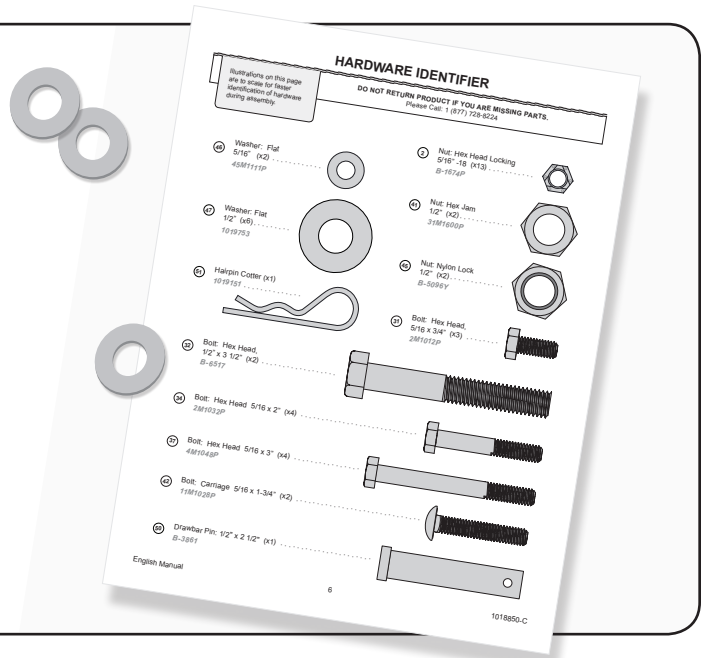
Illustrations on page 6 are to-scale.

For faster identification of hardware during assembly, simply lay the hardware on top of the illustration.



Additional info and videos are available on our website: brinly.com

This QR code links directly to the Aerator Spreader product page.



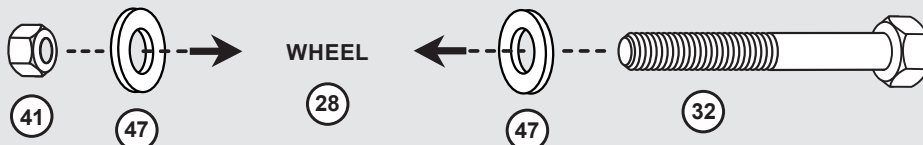
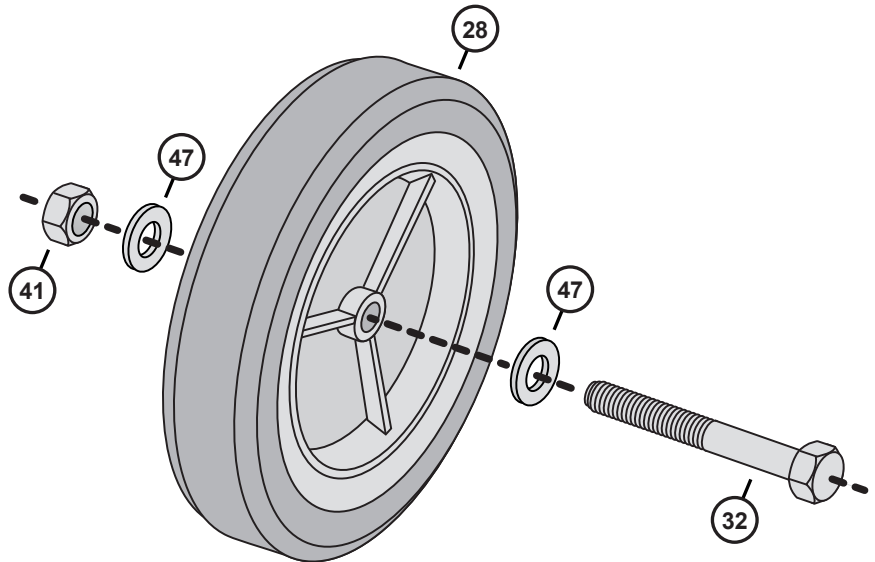
Assembly Step 1-A

Hardware Panel 1

1. Add one 1/2" flat washer (47) to each of the 1/2" x 3-1/2" hex head bolts (32).
2. Run the bolts (32) through each of wheels (28), then add another 1/2" flat washer (47).

NOTE: THE WHEELS NEED TO TURN FREELY.

3. Allowing movement in the tire, loosely add one 1/2" Hex Head Nut (41) to each bolt.

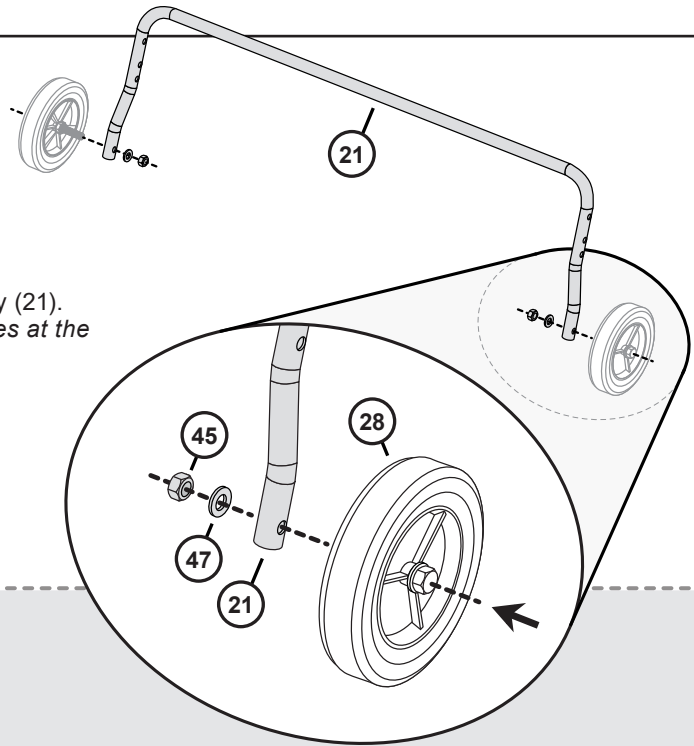
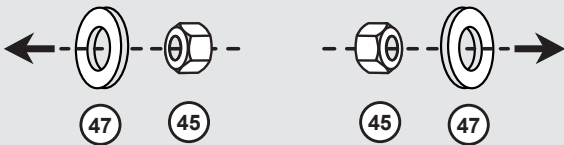


ASSEMBLY

Assembly Step 1-B

Hardware Panel 1

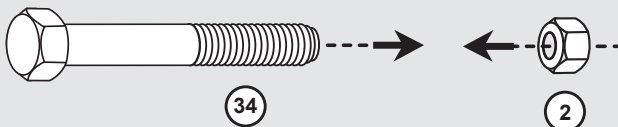
1. Add a wheel (28) from Step 1-A to the support assembly (21).
NOTE: Run each bolt from the outside, through the holes at the base of the assembly as illustrated.
2. Add one 1/2" flat washer (47) to the 1/2 x 3-1/2" hex head bolt (32).
3. Tightly secure in place with one 1/2" lock nut (45).
Repeat this step with the other wheel as illustrated.



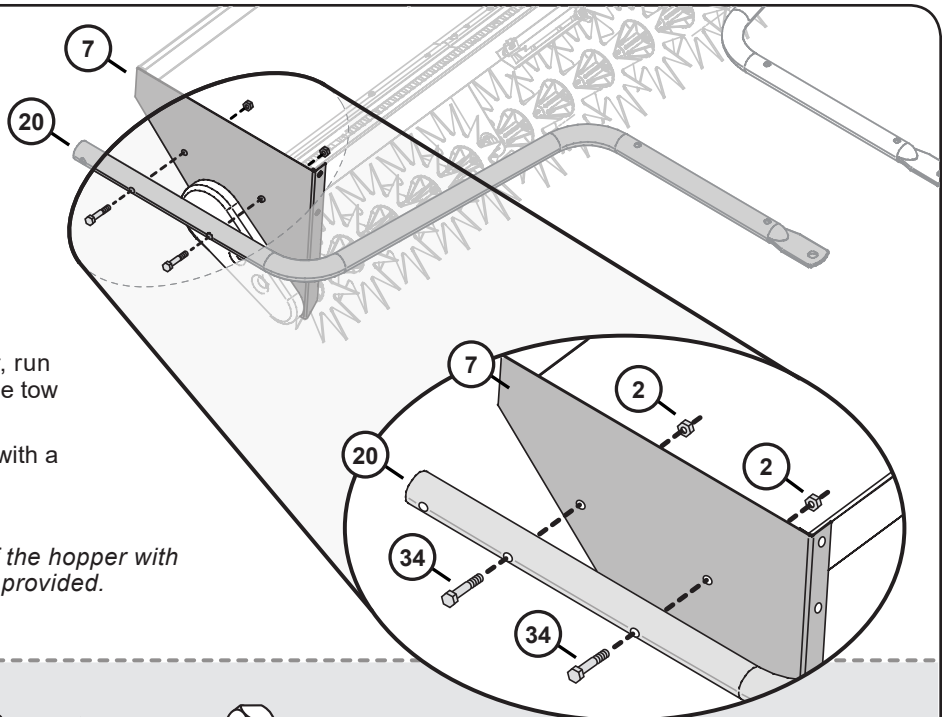
Assembly Step 2

Hardware Panel 2

1. Align one of the tow bars (20) with the small, side panels of the hopper assembly (7) as illustrated.
2. From the outside edge of the hopper, run two 5/16 x 2" hex bolts (34) through the tow bar and hopper assembly (7).
3. Tightly secure each bolt (34) in place with a 5/16" hex nut (2).
4. *Repeat this step on the other side of the hopper with the additional tow bar and hardware provided.*



x4

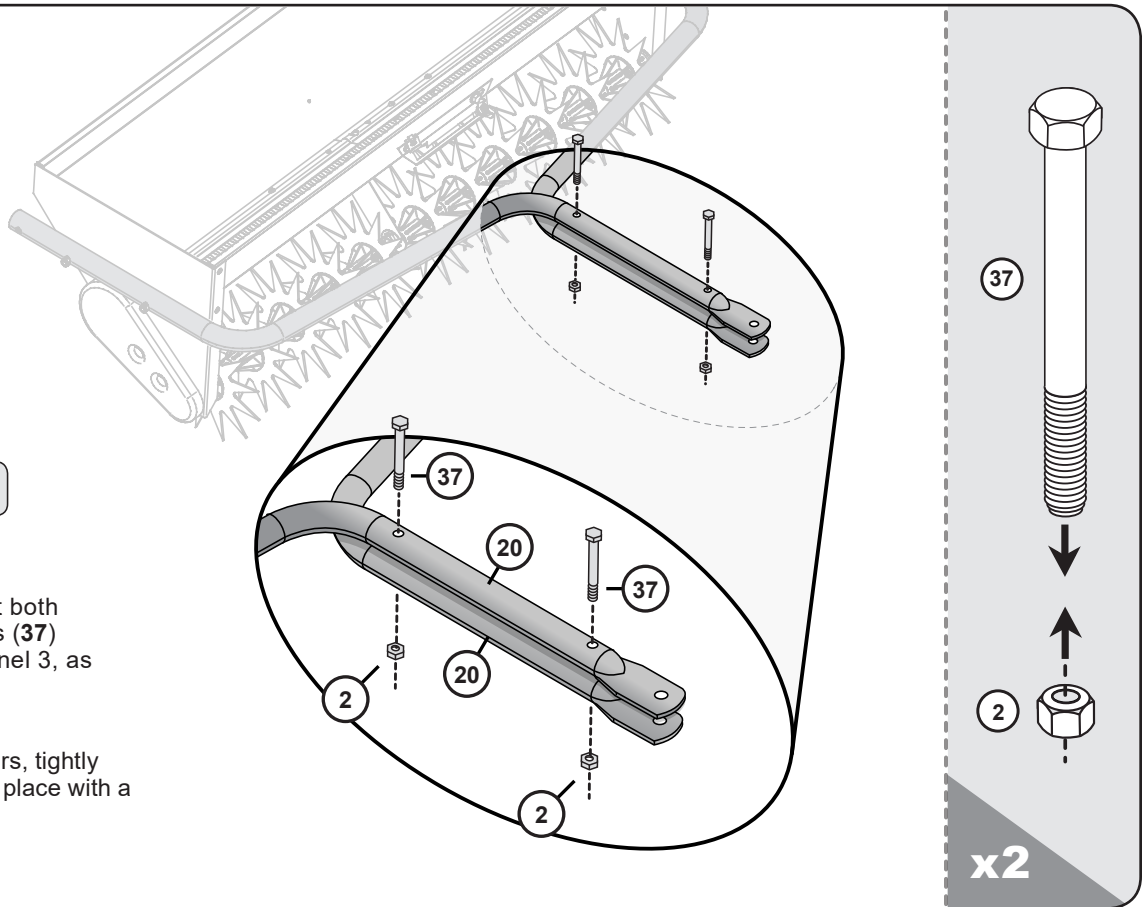


ASSEMBLY

Assembly Step 3-A

Hardware Panel 3

1. Align the tow bars.
2. From above, insert both 5/16 x 3" Hex Bolts (37) from Hardware Panel 3, as illustrated.
3. Beneath the tow bars, tightly secure each bolt in place with a 5/16" hex nut (2).

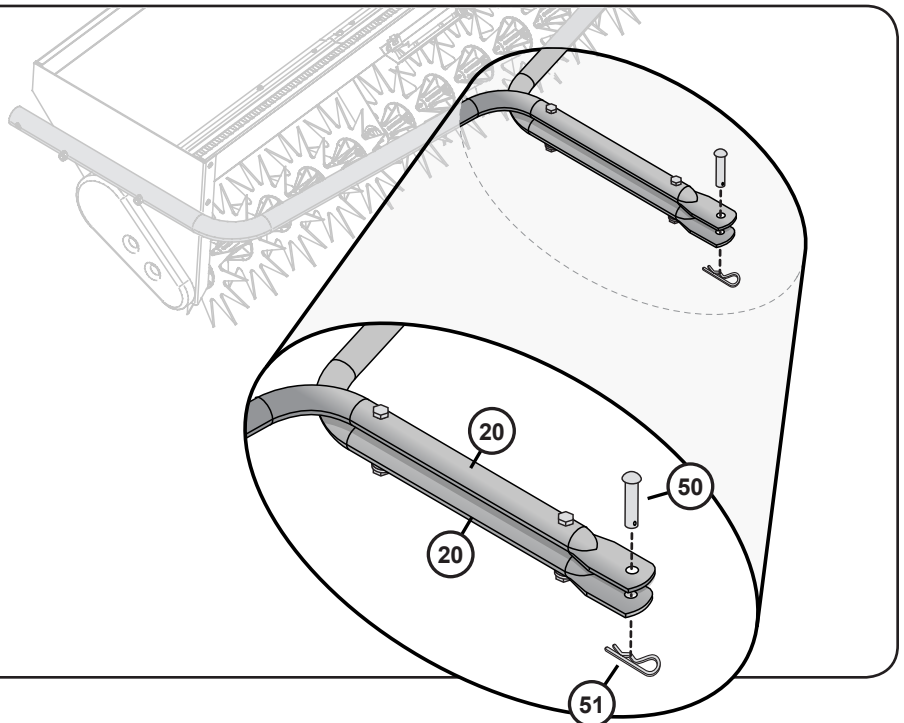


Assembly Step 3-B

Hardware Panel 3

1. At the end of the tow bars (20), from above, insert the Drawbar Pin (50).
2. Secure the pin with a Hairpin Cotter (51).

NOTE: For initial use, you may need to tap or push the hairpin cotter into place by applying some pressure with a tool.

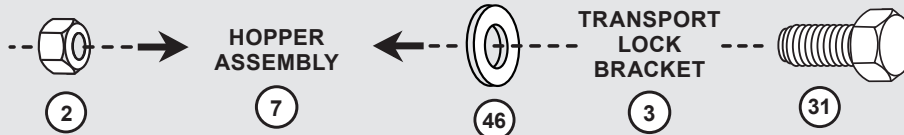
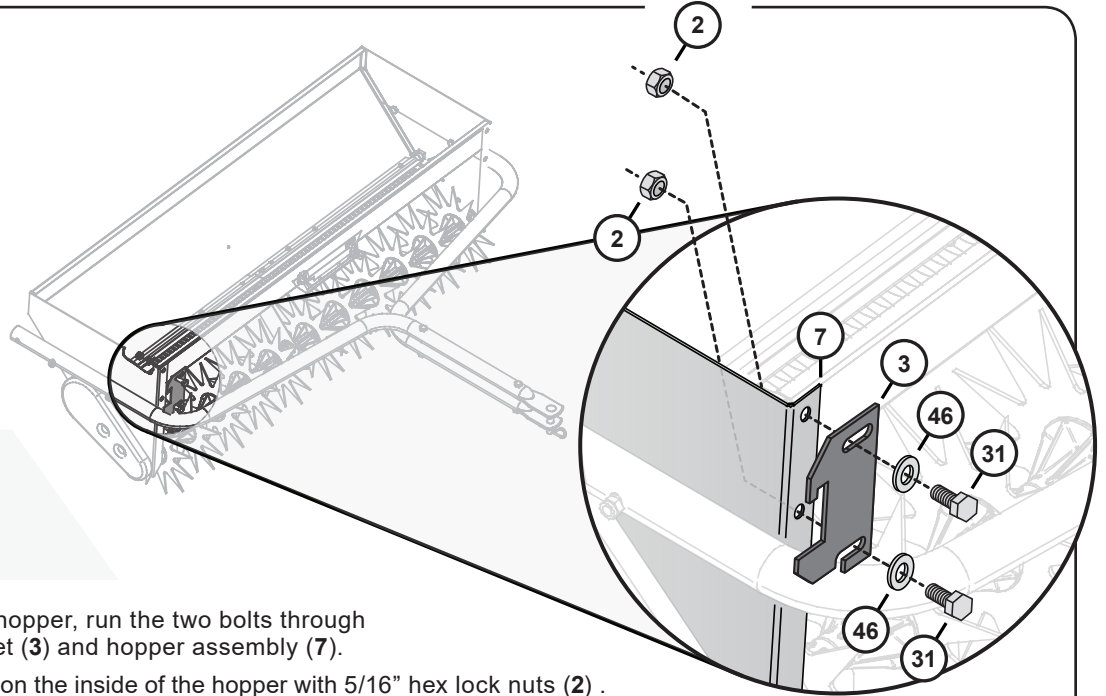


ASSEMBLY

Assembly Step 4

Hardware Panel 4

1. Add a 5/16" flat washer (46) to each of the hex bolts (31) from hardware panel 4.
2. Align the transport lock bracket (3) with the hopper assembly (7) as illustrated.
3. From the outside of the hopper, run the two bolts through the transport lock bracket (3) and hopper assembly (7).
4. Secure the bolts in place on the inside of the hopper with 5/16" hex lock nuts (2).

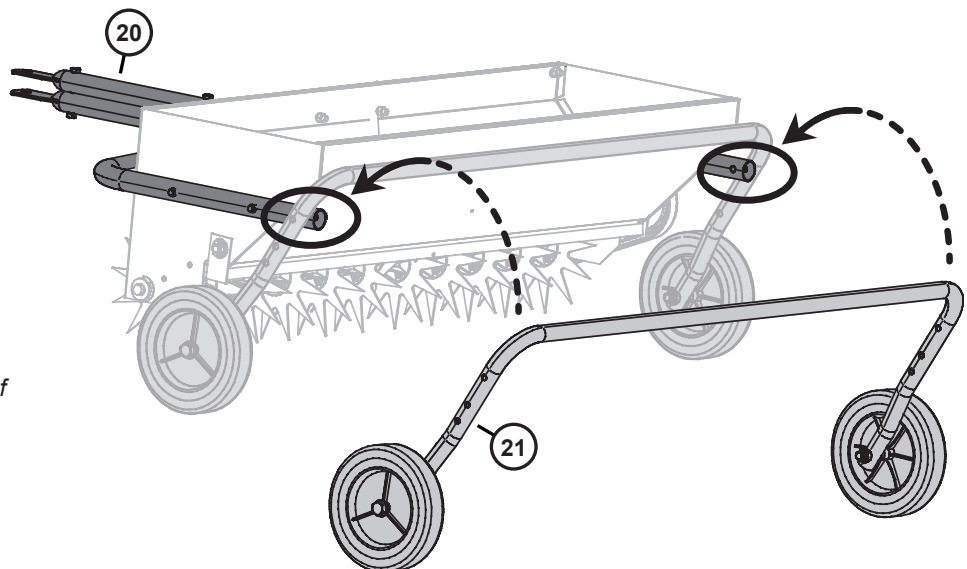


x2

Assembly Step 5-A

1. Align the top bolt openings of the support assembly (21) / wheels (from step 1-B) with the end of the tow bars (20).

NOTE: The support assembly (21) will straddle around the exterior edge of the tow bars.

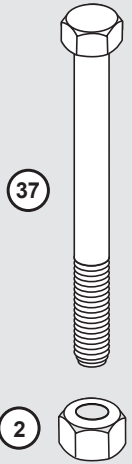
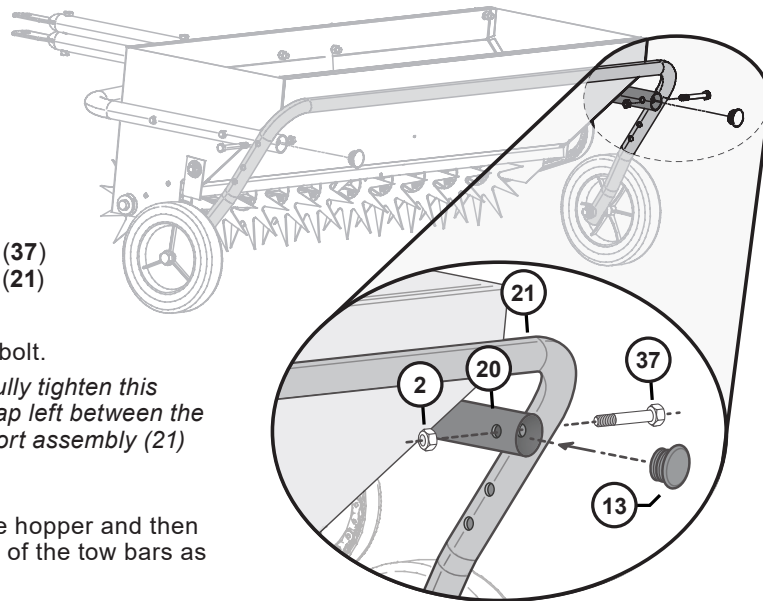


ASSEMBLY

Assembly Step 5-B

Hardware Panel 5

1. On one side, from an outside edge, run a 5/16 x 3" Hex Bolt (37) through the support assembly (21) and the tow bar (20).
2. Add a Hex Lock Nut (2) to the bolt.
NOTE: Make sure you do not fully tighten this nut. There should be a small gap left between the two tubes to allow for the support assembly (21) to properly pivot.
3. Repeat on the other side of the hopper and then add tube caps (13) to the ends of the tow bars as illustrated.



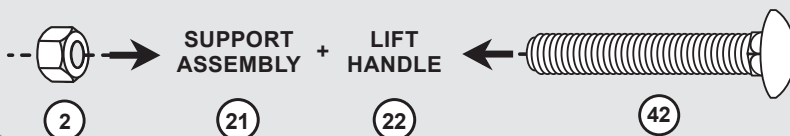
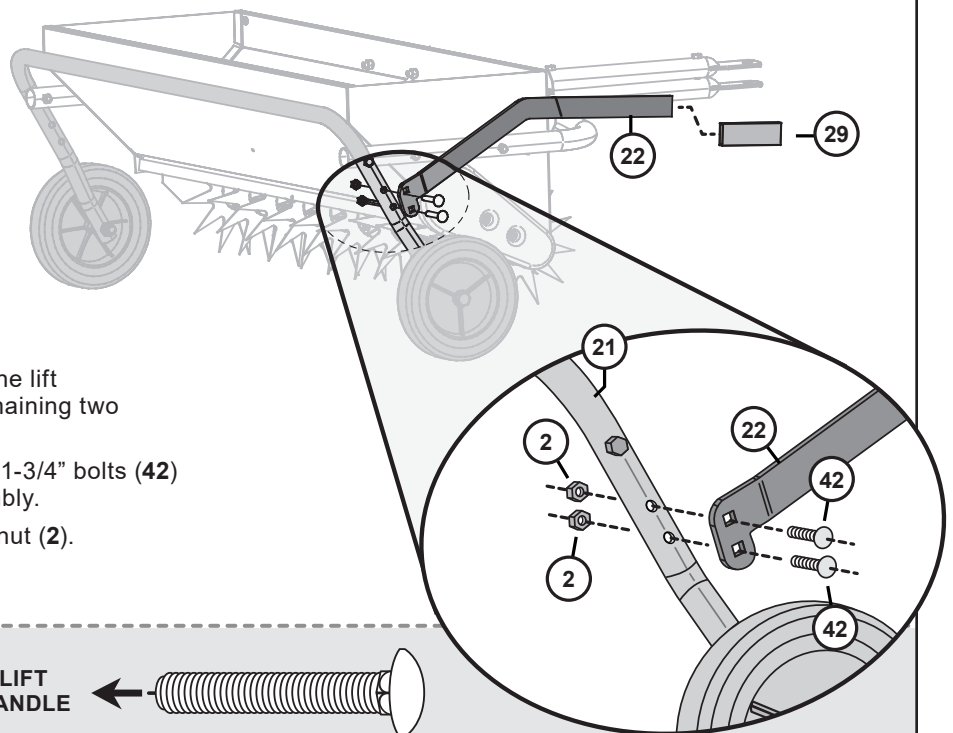
x2

NOTE: For the next step, use the same side of the hopper as the transport lock (3) - added on Step 4.

Assembly Step 6

Hardware Panel 6


1. Slide the grip (29) over the end of the lift handle (22).
2. Utilizing the holes at the other end of the lift handle (22), find and align with the remaining two holes of the support assembly (21).
3. From the outside edge, run two 5/16 x 1-3/4" bolts (42) through the handle and support assembly.
4. Secure bolts in place with a 5/16" hex nut (2).



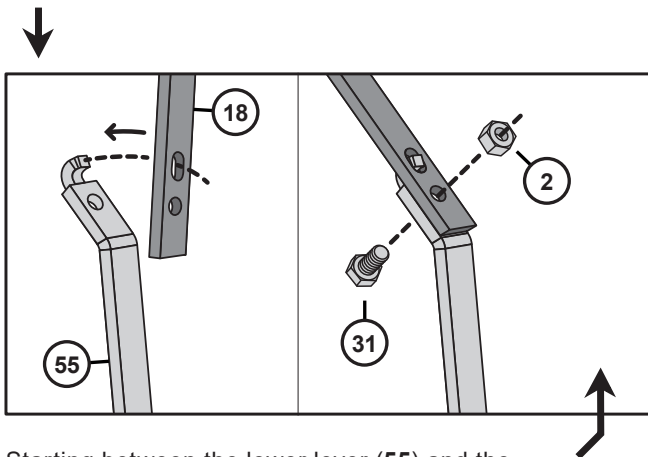
x2

ASSEMBLY

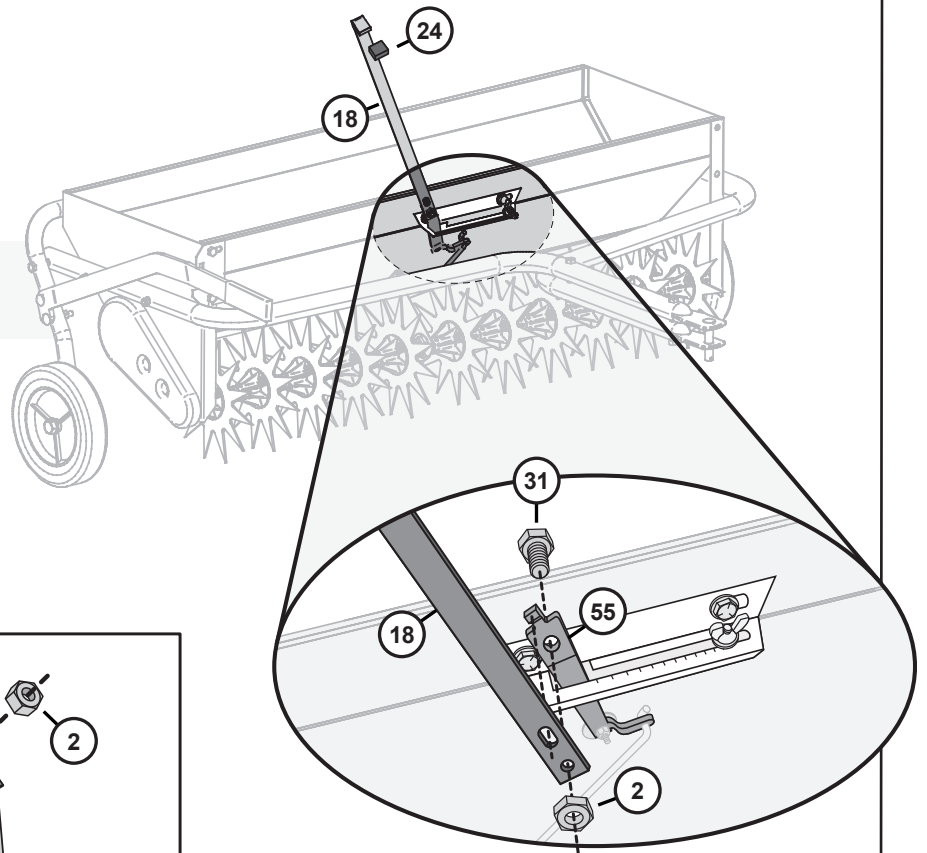
Assembly Step 7

 Hardware Panel 7

1. Slide the small grip (24) over the end of the Upper Lever (18).
2. At the other end of the Upper Lever (18), you'll find an oval and circular opening. Connect the two levers by hooking the oval of the upper level over the end of the Lower Lever (55).



3. Starting between the lower lever (55) and the hopper, pointing at an upward angle:
Run the 5/16 x 3/4" bolt (31) through the two levers.
4. Secure in place with a 5/16" hex nut (2).



Assembly is Complete!

OPERATION



- **CAUTION!** Avoid stopping unit with flow control in “OPEN” position- material will continue to flow through hopper opening. If fertilizer is deposited too heavily in a small area, soak down thoroughly with a garden hose to prevent burning of lawn.
- **IMPORTANT:** When backing up, carefully back STRAIGHT to avoid “jack-knifing”, which can cause damage to your equipment.

WHEN TO USE

Your Aerator-Spreader should not be used when lawn conditions are too wet or too dry. This can be determined by digging a small amount of soil (about three inches deep) and checking it. If soil appears powdery and brittle - its too dry.

Wait until a later date, after a rainfall. If soil appears damp, roll it up in the palm of your hand - if it forms a ball that doesn't break up when it hits the ground, it is too wet. Wait until a later date for soil to dry some. Ideally, the soil should fall apart.

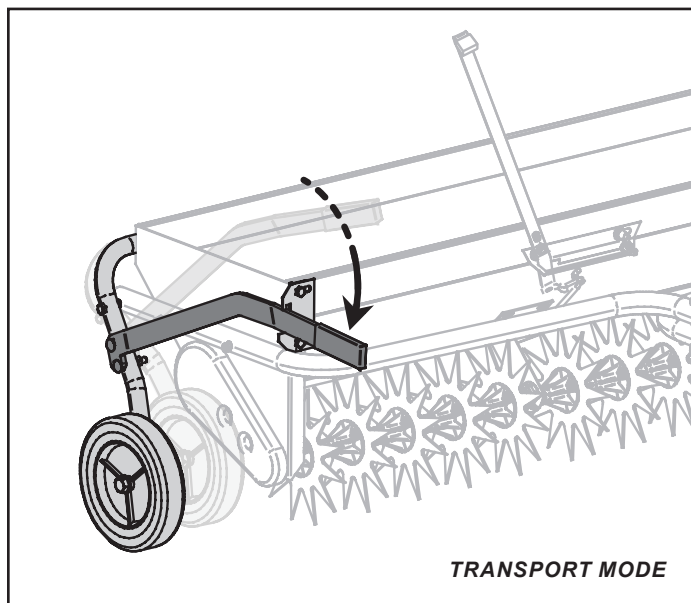
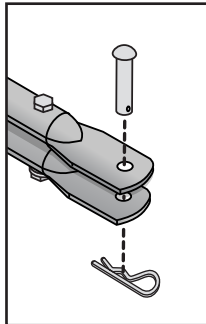
NOTE: If soil is too wet, the aerator tines will penetrate too deep and your tractor could lose traction, causing lawn damage. If soil is too dry, the aerator tines will not penetrate soil properly.

ATTACHING / TRANSPORT MODE

Attach the Aerator-Spreader to your tractor using the 1/2" Drawbar Pin and Hairpin Cotter furnished.

Pull Transport Handle towards tractor and lock it down into the transport lock.

Aerator is now in the raised position, engaging wheels. *Illustrated below.*



OPERATING TIPS

- Set the Flow Control to proper setting using the Nylon Wing Nut (see Alternative Flow Control Setting Chart on p.14) and move the Control Lever to closed (“0”) position.
- Fill Hopper with material to be spread at operating site.
- **CLUMPY MATERIAL** - Ensure the material is free of clumps for optimal use.

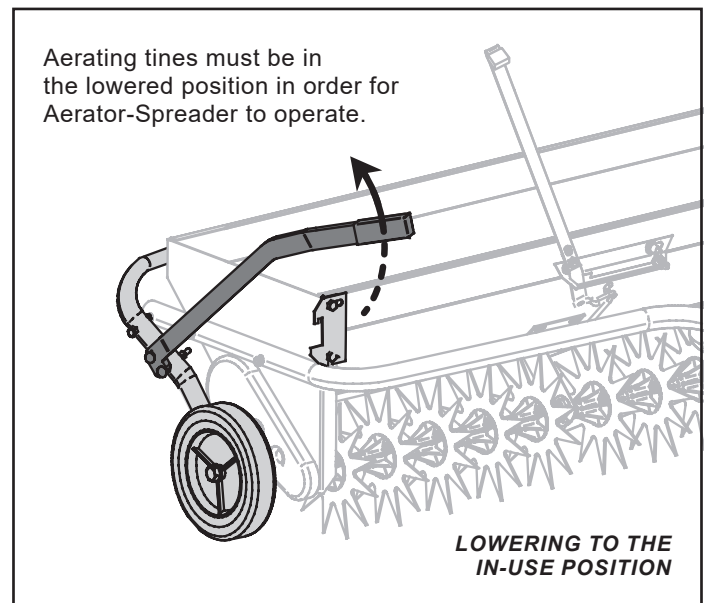
The recommended operating speed is slightly faster than a brisk walk- 3 to 5 MPH. Set the throttle/gear selector to obtain this speed. To obtain this speed Calibrate your tractor to 3 M.P.H. by:

OPERATING
SPEED
3-5
MPH

- Measure a distance of 20 feet on flat, level surface. Adjust tractor throttle and select a gear to cover this distance in 4.5 seconds. To adjust for 4 m.p.h., cover same distance in 3.4 seconds.
- Drive tractor/mower forward as you open the flow control with the Control Lever.

IN-USE MODE

After arriving at the location of property that needs aeration, release the Transport Handle. Aerator is now in the lowered position, engaging spikes. *Illustrated below.*



OPERATION

FLOW CONTROL ADJUSTMENT

OPEN & CLOSE: The material flow is shut off by moving Control Lever to the left and locking into “V” notch on calibration plate.

FLOW SETTING: To set the flow rate, put the Control Lever in the shut-off position (in “V” notch). Determine your required number setting as described below. Loosen the nylon wing nut and slide to the desired number setting and retighten the wing nut. Release the control strap and it will open to the pre-set position.

DETERMINING FLOW CONTROL SETTING NUMBER:
NOTE: Fertilizer application rates as described are affected by humidity and the moisture content of the material; therefore, minor setting adjustments may be necessary to compensate for these conditions.

APPLICATION RATES

Material Type	Average Usage Recommended	Flow Control Setting
Seeds:		
Ky. Bluegrass	1 lb / 1000 sq. ft.	4
Rye	2 lb / 1000 sq. ft.	7
Tall Lawn & #31 Fescue . . .	3 lb / 1000 sq. ft.	12
Fertilizer:		
Lawn Food (33-3-10) . . .	3.2 lb / 1000 sq. ft.	5-1/4
Weed & Feed (33-3-5) . .	3.2 lb / 1000 sq. ft.	5-1/4

ALTERNATIVE FLOW CONTROL SETTINGS:
 To determine the required setting for materials not listed on the Application Rate Chart, proceed as follows:

Determine the amount of material to be spread over a designated area. (Noted on the material bag).
Example: “The contents of this bag (25 lbs.) will cover 5000 square feet.”

Determine the amount of material required to cover 100 square feet as follows:
 Add two zeros to bag weight.
Example: 2500

Divide this number by the number of square feet on the bag.
Example: 2500 divided by 5000 = 0.5 pounds of material for 100 square feet.

NOTE: To convert this weight to ounces, simply multiply by 16 (16 oz. / lb). Example: 0.5 lb. x 16 = 8 oz.

FLOW CONTROL SETTING

Determine approximate flow control setting by using the chart below showing type of material to spread.

Measure off a distance of 40 feet in your yard. This is the distance your 30” spreader must travel in order to cover 100 square feet. (2.5 ft. (30”) x 40 ft. = 100 sq ft.) For 40” spreader measure off a distance of 30 feet in your yard, the distance to cover 100 square feet. (3.33 ft. (40”) x 30 ft. = 100 sq ft.)

Set the spreader flow control at the approximate flow control setting.

Place 5 pounds of material in the Hopper. Weigh the material before and after spreading 100 square feet to determine amount of material used.

Move unit to measure area, lower aerator tines, open Flow Control Lever. Drive the 40 ft. course, stop unit and close Flow Control Lever.

Remove and weigh remaining material. Subtract this weight from 5 pounds to determine material used: If too much material is used: Set Flow Control ONE number LOWER and try again. If too little material is used: Set Flow Control ONE number HIGHER and try again.

After determining proper setting always record the type of material and the setting for future use.

ALTERNATIVE FLOW CONTROL SETTING CHART

Material Coarseness	Approx. Coverage		Approx. Flow Control Setting
	Wt.	Sq. Ft. Cov.	
FERTILIZER:	Very Coarse (Large, heavy pellets and grain)	0.5 lb. 100	9
		1.0 lb. 100	12
		1.5 lb. 100	15
	Medium Coarse (Pellets & granules)	0.5 lb. 100	7
		1.0 lb. 100	10
		1.5 lb. 100	13
	Light Material (Nitrogen, etc.)	0.1 lb. 100	3.5
		0.2 lb. 100	4.5
		0.3 lb. 100	5.5
SEEDS:	Large (Ky. 31 Fescue, etc.)	0.3 lb. 100	12
		0.5 lb. 100	16
		0.7 lb. 100	19
	Medium (Rye, etc.)	0.2 lb. 100	7
		0.4 lb. 100	11
		0.6 lb. 100	14
	Fine (Blugrass, Lawn Fescue, etc.)	0.1 lb. 100	4
		0.2 lb. 100	4.5
		0.3 lb. 100	5

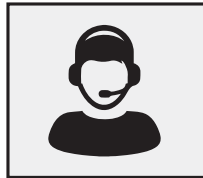
MAINTENANCE AND SERVICE

MAINTENANCE



- Should rust appear on any other part of your Aerator-Spreader, sand lightly to remove rust and coat lightly with enamel.
- Apply a drop of lubricating oil to each nylon bearing (aerator tine shaft, agitator shaft, and wheels) before each use.
- Be sure to remove all unused fertilizers from hopper immediately after use and clean with water.
- To prevent rust in aerator tines, apply a light coat of oil on the working areas of tines after each use.
- After each use, service unit as described and store in a dry area, shielding tines to avoid injury.

SERVICE



QUALITY CONTINUES WITH QUALITY SERVICE

If you have installation questions, are missing parts or need replacement parts, don't go back to the store!

Please find your product serial number and model number, then contact our Customer Service department:



In North America and Canada call
Toll-Free: **877-728-8224**



Chat online: **www.brinly.com**



Email: **customerservice@brinly.com**

ONLINE

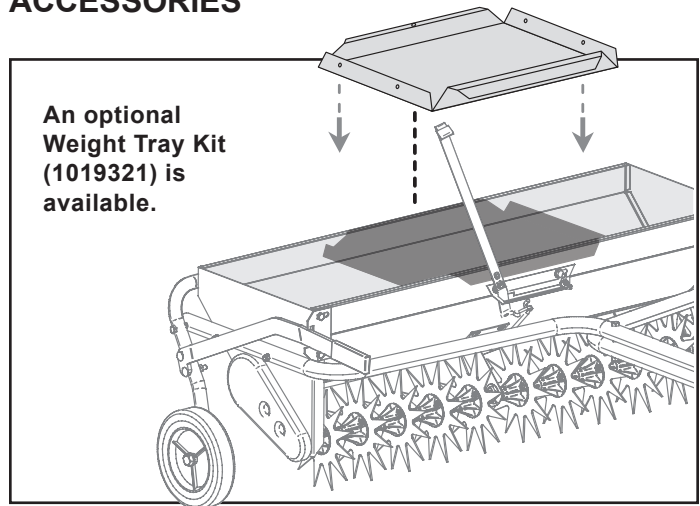
BRINLY.COM

Additional info and videos are available on our website. Please visit the URL above OR scan this QR code.

AS2-40BH1-S

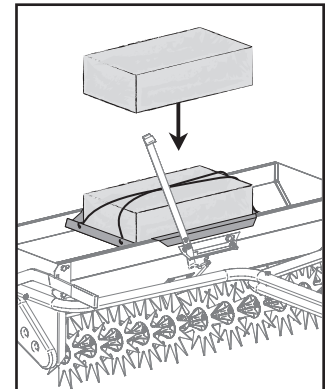


ACCESSORIES



For tougher ground conditions (or to aerate without spreading), an optional weight tray can be added to the Aerator.

After installation, additional weight can then be centered on the tray and secured with bungee cords.





MANUFACTURER'S LIMITED WARRANTY FOR BRINLY PULL-BEHIND ACCESSORIES

The limited warranty set forth below is given by Brinly-Hardy Company with respect to new merchandise purchased and used in the United States, its possessions and territories.

Brinly-Hardy Company warrants the products listed below against defects in material and workmanship, and will at its option, repair or replace, free of charge, any part found to be defective in materials or workmanship. This limited warranty shall only apply if this product has been assembled, operated, and maintained in accordance with the Operator's manual furnished with the product, and has not been subject to misuse, abuse, commercial use, neglect, accident, improper maintenance, alteration, vandalism, theft, fire, water, or damage because of other peril or natural disaster.

Normal Wear Parts or components thereof are subject to separate terms as follows: All normal wear parts or component failures will be covered on the product for a period of 90 days.

Parts found to be defective within the warranty period will be replaced at our expense. Our obligation under this warranty is expressly limited to the replacement or repair, at our option, of parts found to be defective in material and workmanship.

HOW TO OBTAIN SERVICE: Warranty parts replacements are available, ONLY WITH PROOF OF PURCHASE, through our Customer Service Department. Call 877-728-8224.

This limited warranty does not provide coverage in the following cases:

- a) Routine maintenance items such as lubricants and filters.
- b) Normal deterioration of the exterior finish due to use or exposure.
- c) Transportation and/or labor charges.
- d) The warranty does not include commercial and/or rental use.

No implied warranty, including any implied warranty of merchantability of fitness for a particular purpose, applies after the applicable period of express written warranty above as to the part as identified below. No other express warranty whether written or oral, except as mentioned above, given by any person or entity, including a dealer or retailer, with respect to any product, shall bind Brinly-Hardy Co. During the period of the warranty, the exclusive remedy is repair or replacement of the product as set forth above.

The provisions as set forth in this warranty provide the sole and exclusive remedy arising from the sale. Brinly-Hardy Co. shall not be liable for incidental or consequential loss or damage including, without limitation, expenses incurred for substitute or replacement lawn care services or for rental expenses to temporarily replace a warranted product.

Some states do not allow the exclusion or limitation of incidental or consequential damages, or limitations on how long an implied warranty lasts, so the above exclusions or limitations may not apply to you.

During the warranty period, the exclusive remedy is replacement of the part. In no event shall recovery of any kind be greater than the amount of the purchase price of the product sold. Alteration of safety features of the product shall void this warranty. You assume the risk and liability for loss, damage, or injury to you and your property and/or to others and their property arising out of the misuse or inability to use this product.

This limited warranty shall not extend to anyone other than the original purchaser or to the person for whom it was purchased as a gift.

HOW STATE LAW RELATES TO THIS WARRANTY:

This limited warranty gives you specific legal rights, and you may also have other rights which vary from state to state.

IMPORTANT:

The Warranty period stated below begins with the PROOF OF PURCHASE. Without the proof of purchase, the Warranty period begins from the date of manufacture determined by the serial number manufacturing date.

WARRANTY PERIOD:

The warranty period for the product shown in this manual is as follows: Steel Frame Parts: consumer - 2 Years, commercial - 90 days. Tires and Wheels are normal wear parts - 90 days.